

# A0





# AO MEANING EARTH IN MAORI

Adventure! We all love it, we all seek it, but having the right tool for the job means that adventure can mean different things to different people. The AO is the Swiss Army knife of the Gravel genre. AO means “Earth” in Maori and New Zealand’s rugged landscape became the brief in developing one of the most versatile Gravel frames in the market.

Each year hundreds of adventurers embark on the Tour of Aotearoa, a 3,000km race from the tip of the North Island to the southernmost part of the South Island. Along the way, competitors will traverse some of the most spectacular and rough roads and terrains.



Best Design Awards  
Winner 2019





The AO has been specially designed to excel in all the variable conditions. With 42mm tire clearance with 700C wheels and the ability to accept 650B wheels at 47mm tire clearance, the AO can be fitted with 5 water bottles, dropper post, panniers, and mudguards making it an adventurer's perfect multi-tool.

Whether you are racing fast gravel events or long distance brevets the AO's ability to adjust its rear centre by up to 15mm will let you adjust its agility levels to suit your every need and desire, including running road tires for that one bike does it all quiver killer.

*Michael*

Designed in  
New Zealand









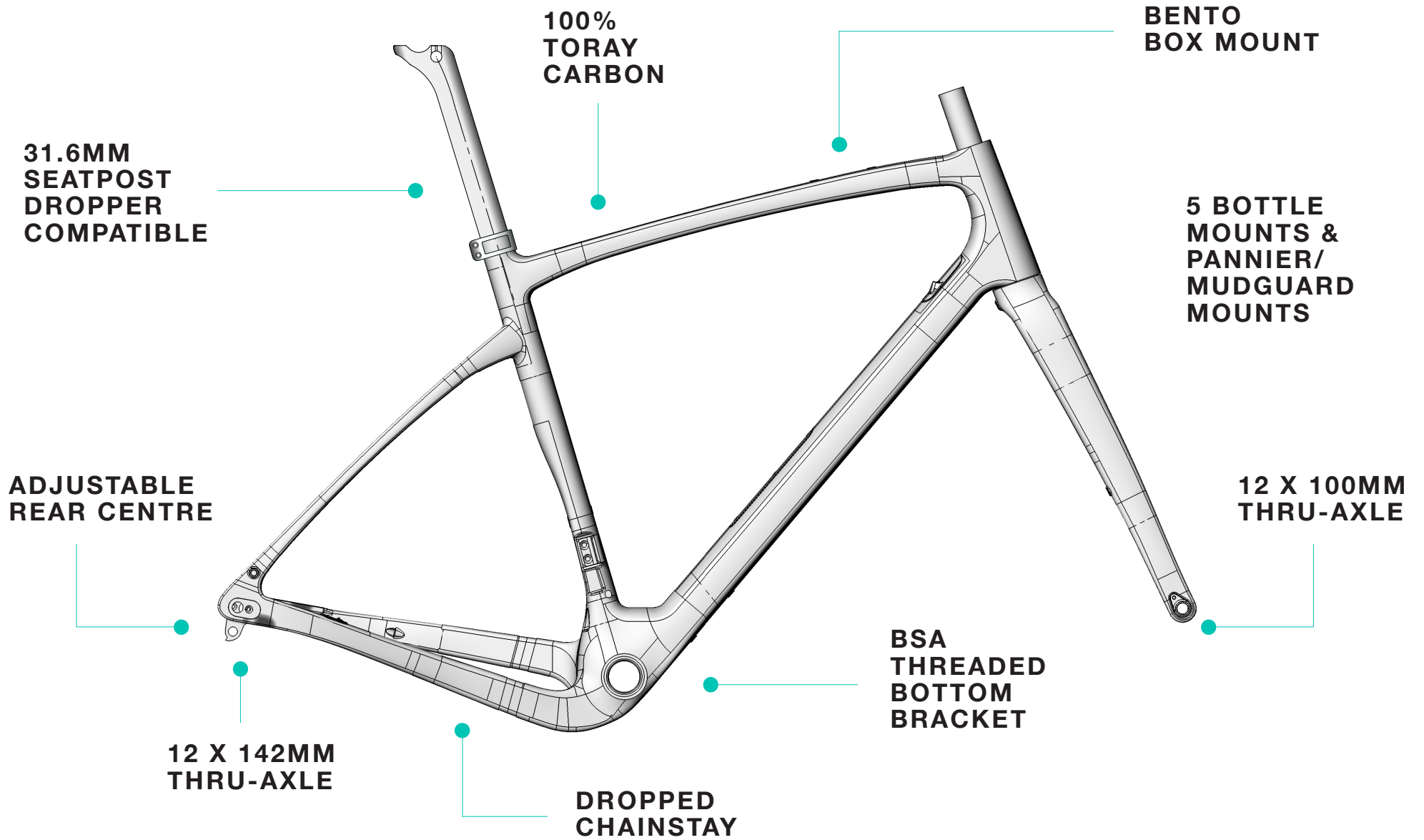




# FEATURES









CHAPTER 2



[www.chapter2bikes.com](http://www.chapter2bikes.com)



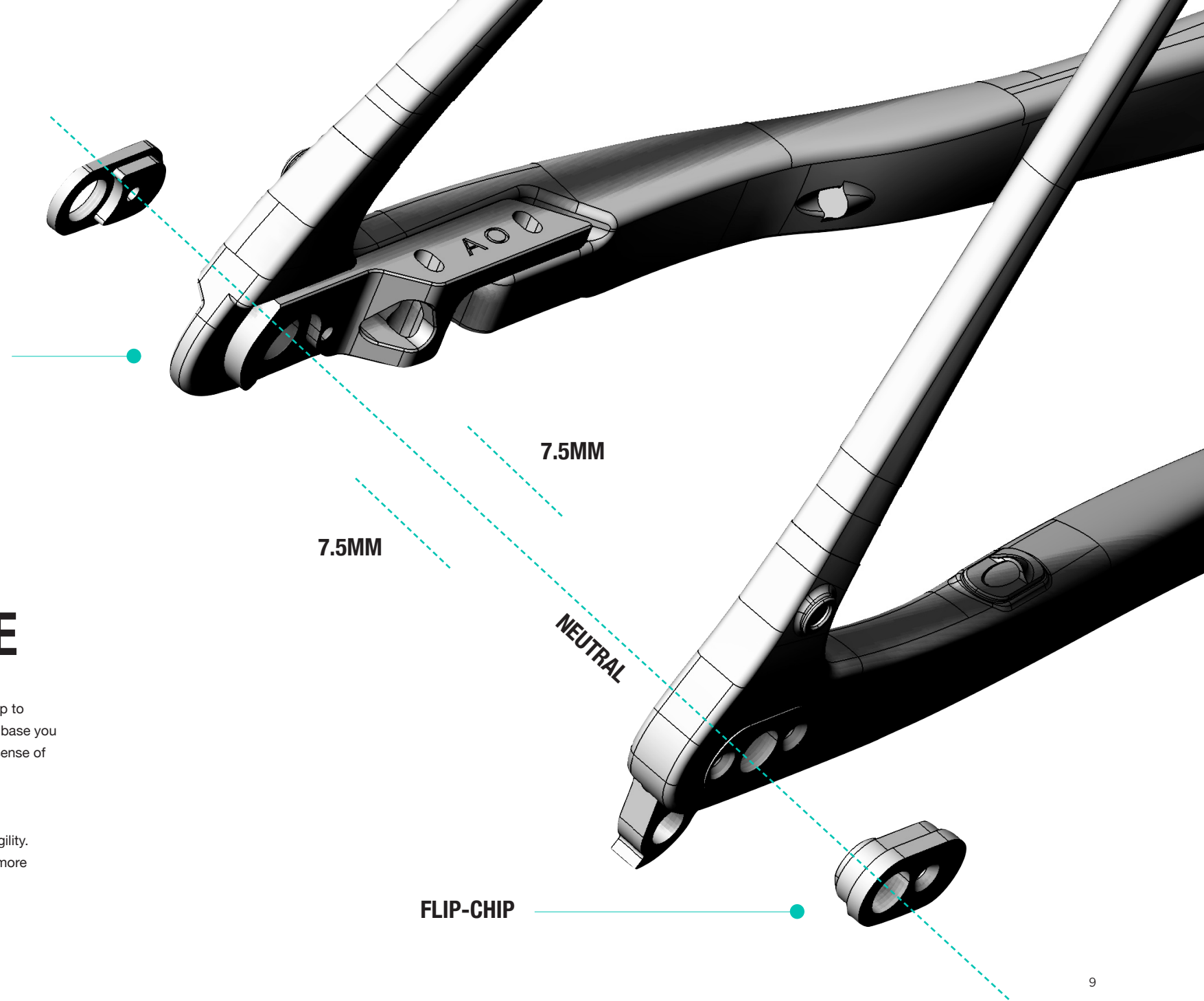
FLIP-CHIP

CNC REAR  
140/160MM  
BRAKE CALLIPER  
CARRIER

# ADJUSTABLE REAR-CENTRE

Via the Flip-Chips, the rear centre is adjustable by up to 15mm in 7.5mm increments. By adjusting the wheelbase you can dial in the ride quality that suits your terrain or sense of adventure.

1. 0mm Neutral Setting.
2. -7.5mm Reduces Rear Centre and increases agility.
3. +7.5mm Increases Rear Centre and creates a more subtle steering performance.



7.5MM

7.5MM

NEUTRAL

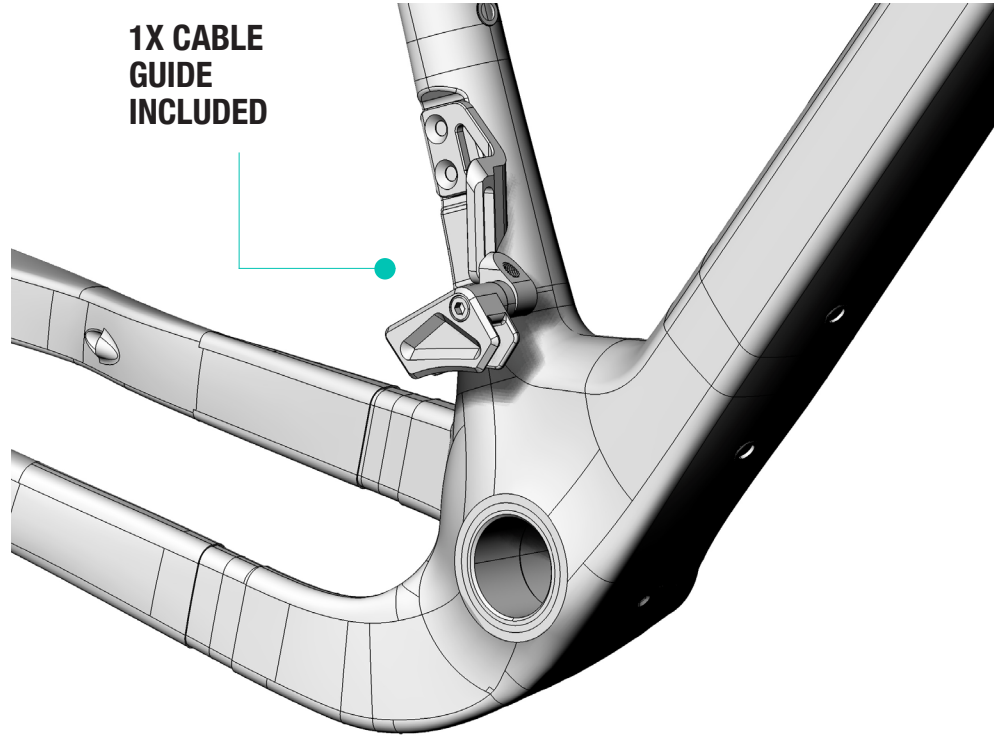
FLIP-CHIP

## INTEGRATED OPTIONS

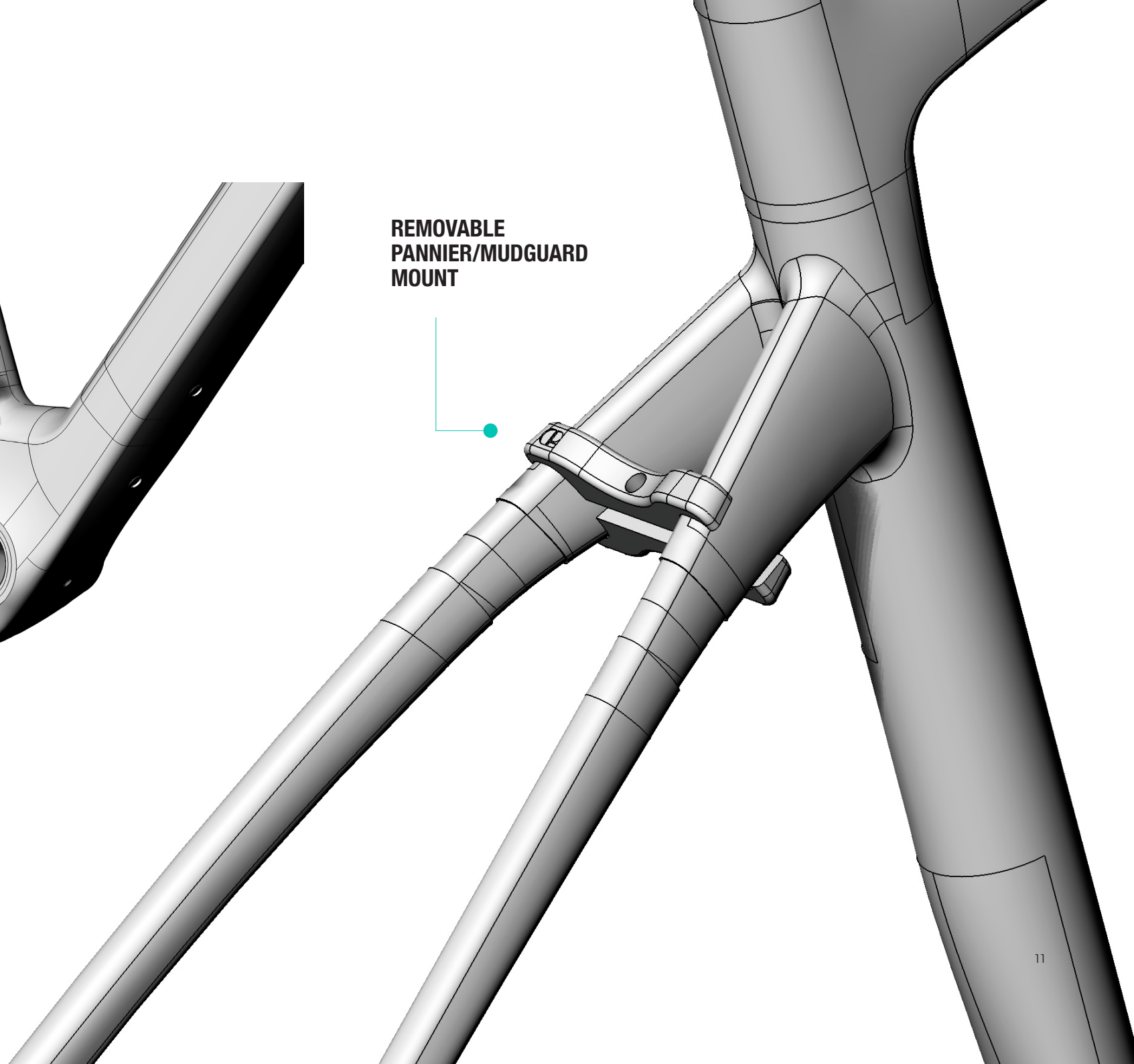
There are never 2 Chapter2 bikes the same, and this is never more true than with how the AO can be configured. 2x, 1x, Dropper post or no dropper post, electronic or analogue gears you can configure the cable management with our supplied plates and internal routing systems to your exact requirements.



1X CABLE  
GUIDE  
INCLUDED



REMOVABLE  
PANNIER/MUDGUARD  
MOUNT





# MEDIA REVIEWS



**It offers plenty of performance through its light, stiff and comfortable carbon chassis, while clever features throughout add versatility.**

With the company's owner coming from a MTB background, it's not too surprising to see the AO taking on what I'd call a modern approach to gravel bike geometry.

C2 has done a really impressive job with the AO in how they've slightly tweaked some well-proven geometry numbers and produced a bike that truly does serve as one of the more well-rounded gravel bike offerings. A real quiver-killer, if you will.

**CyclingTips (Dave Rome)**

**C2 AO looks to add a couple more to that list. If I were to expand on the light, fast, responsive, line, I'd add in versatility and compatibility to that list.**

Obvious details are the dropped chainstay, ample clearance for a 2x drivetrain and tires, internal routing, rack or bag support mounts, what appears to be a few extra bosses for bags, as well as a third bottle mount.

The new C2 AO checks some pretty important boxes and delivers a package that is both friendly to road cyclists looking to get dirty, as well as dabble in some lightweight bikepacking.

**Radavist (John Watson)**

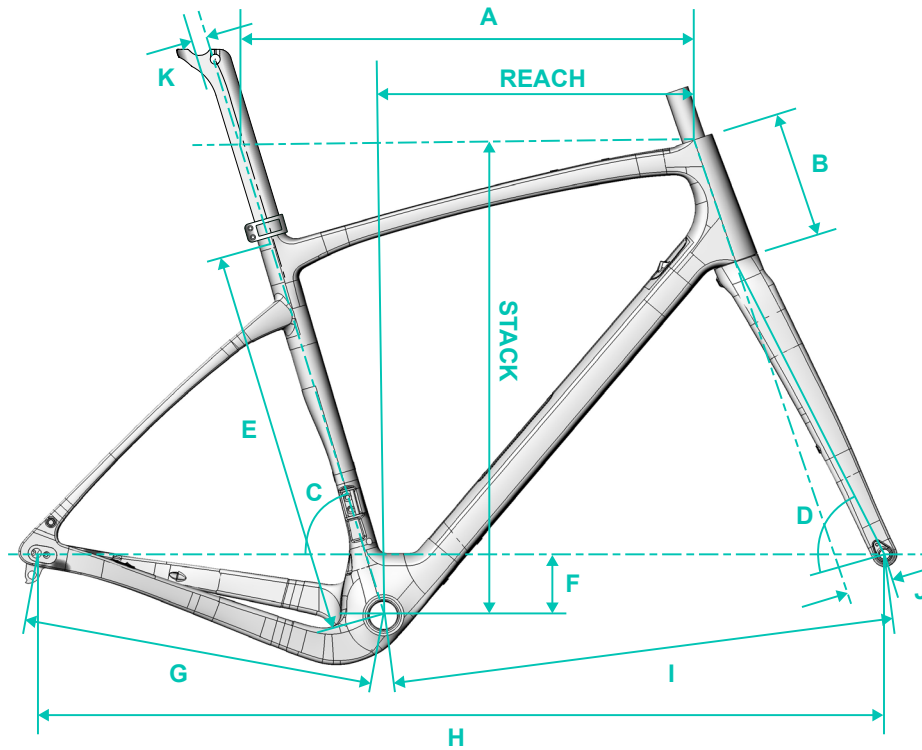




# GEOMETRY & SPECS







The AO features a higher stack than our all-road TERE, a longer wheelbase, lower BB and slacker head angle all which contribute to the super-stable but responsive ride when you veer off-road. We've blended the efficiency of a road bike with 'all-week' comfort which is a hallmark of genre defying gravel bikes.

**MEASUREMENTS IN MMS**

	XS	S	M	L	XL
<b>STACK</b>	521	548	576	605	634
<b>REACH</b>	355	366	377	388	399
<b>A</b>	509	528	547	567	587
<b>B</b>	105	130	155	179	209
<b>C</b>	73.5 °	73.5 °	73.5 °	73.5 °	73.5 °
<b>D</b>	69 °	70 °	71 °	72 °	72 °
<b>E</b>	460	480	500	530	560
<b>F</b>	74	74	74	74	74
<b>G</b>	420 +/-7.5	420 +/-7.5	420 +/-7.5	420 +/-7.5	420 +/-7.5
<b>H</b>	998	1010	1021	1026	1046
<b>I</b>	589	601	612	617	638
<b>J</b>	55	55	55	50	50
<b>K</b>	15	15	15	15	15
<b>Stem</b>	80	90	100	110	120
<b>Standover Height</b>	747	771	797	827	856
<b>Rider Height</b>	<170	165-175	170-180	175-185	>180
<b>Max. Tire Clearance</b>	42	42	42	42	42
<b>Rear Caliper Mount</b>	25	25	25	25	25

# AO SIZING CHART

HEIGHT/ INSEAM (FT/INCHES)	AO	2' 5.13"	2' 5.92"	2' 6.71"	2' 7.50"	2' 8.28"	2' 9.07"	2' 9.86"	2' 10.65"	2' 11.43"	3' 0.22"	3' 1.01"
	HEIGHT/ INSEAM (CM)	74	76	78	80	82	84	86	88	90	92	94
6' 3.59"	192									XL	XL	XL
6' 2.80"	190									XL	XL	XL
6' 2.02"	188							L	L	XL	XL	XL
6' 1.23"	186						L	L	L	L	XL	XL
6' 0.44"	184						L	L	L	L	XL	XL
5' 11.65"	182					M	M	L	L	L	L	
5' 10.87"	180				M	M	M	M	L	L	L	
5' 10.08"	178				M	M	M	M				
5' 9.29"	176			S	S	M	M	M				
5' 8.50"	174		S	S	S	S						
5' 7.72"	172		S	S	S	S						
5' 6.93"	170	XS	XS	S	S							
5' 6.14"	168	XS	XS	XS								
5' 5.35"	166	XS	XS									
EST. SADDLE HEIGHT		65.49	67.26	69.03	70.8	72.57	74.34	76.11	77.88	79.65	81.42	83.19



## CHAPTER 2

### SPECIFICATIONS

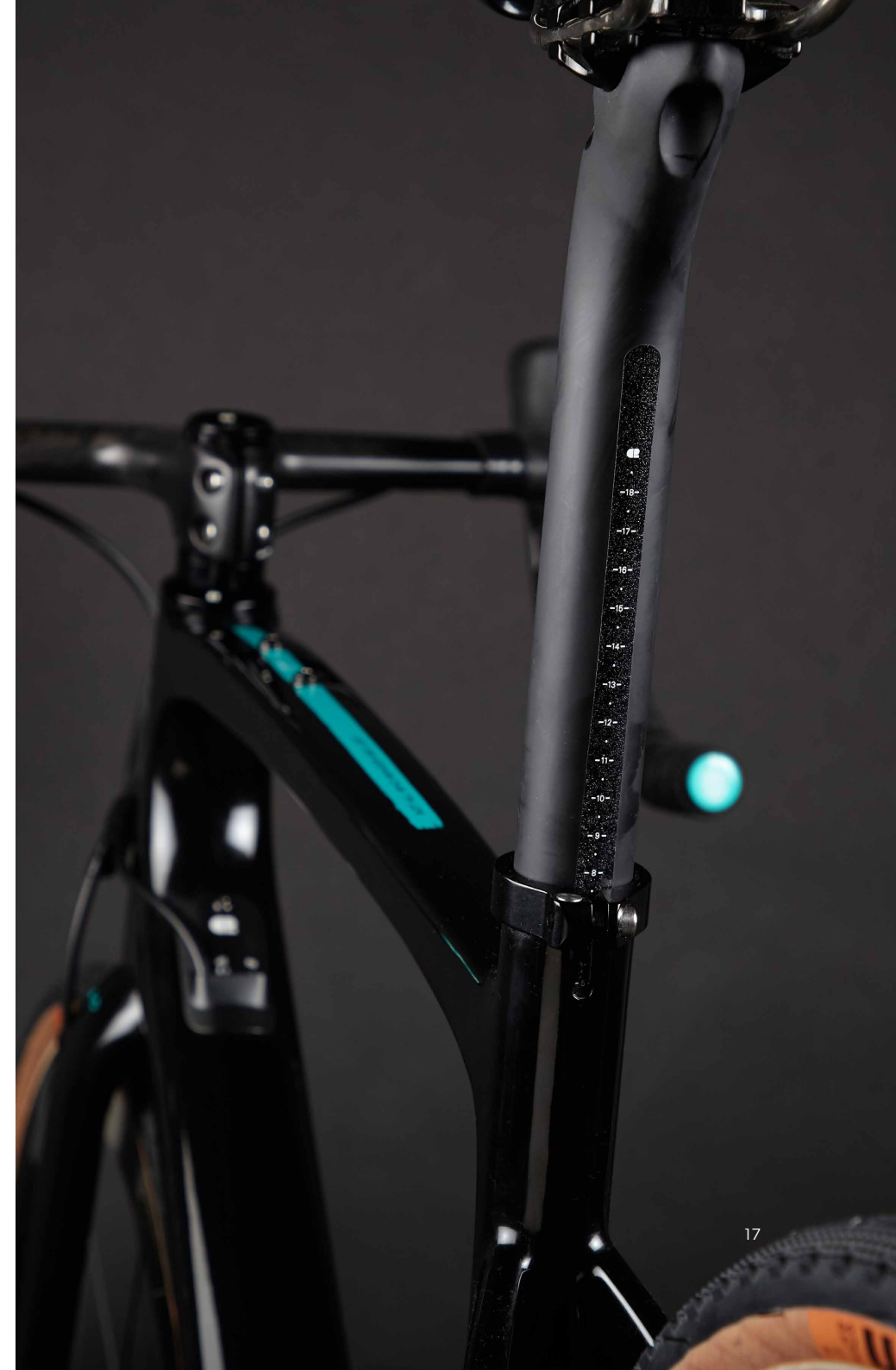
Carbon	100% Made in Japan by Toray
Frame Sizes (5)	XS, S, M, L & XL
Fork Rakes (2)	XS, S, M (55 offset) and L, XL (50 offset)
Frame Weight	1,180g Size M +/- 3%
Fork Weight	479g Uncut +/- 3%
Seatpost Weight	249g Size M +/- 3%
Handlebar/Stem (MANA-GRVL)	330g (100x491mm) +/- 3% (sold separately)
Headset	C2 1-1/8" – 1.5"

### COMPATIBILITY

Mechanical & Electric	Versatile Groupset Options in 1x and 2x
Gear Shifting Type	Mechanical & Electric
Electronic Shifting	Shimano Di2, SRAM eTAP & Campagnolo EPS
Battery Type	Di2 SM-BTR-2 and EPS V3 Battery Compatible
Tire Clearance	(ISO 4mm) 42mm (700C) & 47mm (650B)
Brake Type	Disc Only (140 or 160mm)
Bottom Bracket	BSA Threaded
Thru-Axle	FR 12x100mm, RR 12x142mm E-Thru M12x1.5mm
MANA-GRVL	Gravel Specific One-Piece Bar (sold separately)
1x & 2x Cranksets	1x Max. Size 42T

### ACCREDITATION

Safety Standard	EN ISO 4210:2014
-----------------	------------------



## MODEL COMPARISON

Model	AO (US\$ 2,399)	KAHA (US\$3,599)
Category	Gravel	Gravel
Focus	Adventure	Performance/Race
Sizes	5	5
Geometry	All-Round	Performance
Stack	Higher	Lower
Reach	Shorter	Longer
Adjustable Geometry	Rear Centre (+/- 7.5mm)	NA
Tire Clearance (700C)	42mm 700C & 47mm 650B	50mm Front & 47mm Rear (700C/650B)
Suspension Fork Compatibility	Yes 1-1/8"	Yes 1-1/8" - Geo Optimised
Frame Weight (g) +/-3%	1,180g (+81g)	1,099g (-81g)
Fork Weight (g) uncut +/-3%	479g (+70g)	409g (-70g)
Difference	1,659g (+151g)	1,508g (-151g)
Seatpost Weight (g) uncut +/-3%	249g	Not Included
Headtube Stiffness	Reference	+6%
Bottom Bracket Stiffness	Reference	+4%
Seatpost Size	31.6mm	27.2mm
Handlebar	Sold Separately	MANA-GRVL Included
MANA-GRVL Bar Compatibility	Yes (External Routing)	Yes (Fully Integrated)
MANA Bar Compatibility	Yes (External Routing)	Yes (Fully Integrated)
Non-Integrated Handlebar Option	NA	Yes
Dropper Compatibility	Yes (31.6mm)	Yes (27.2mm)
Bottom Bracket	BSA Threaded Eng	T47 Threaded 85.5
Headset	C2 1-1/8" - 1.5"	C2 Integrated 1.5"
Shifting Compatibility	Analog & Electric	Analog & Electric
1x and/or 2x Compatibility	2x & 1x (1x Max 42T)	2x & 1x (1x Max 42T)
Integrated Downtube Storage	No	Yes
Pannier Racks	Yes - Front & Rear	Yes - Front & Rear
Mudguard Mounts	Yes - Front & Rear	Yes - Front & Rear
Toptube Bento Box	Yes	Yes
Bottle Cage Mounts	5	5+
Downtube Protector	No	Yes
Safety Standard	EN ISO 4210:2014	EN ISO 4210:2014





# WHAT YOU GET

- Frame
- Fork
- Seatpost
- Stem
- Thru-Axles
- Headset

## ADD ONS

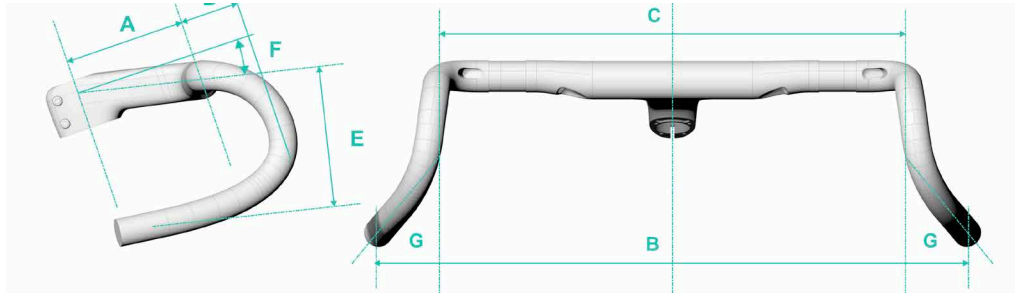
- MANA-GRVL (Not included)

# MANA-GRVL









	80x469	90x480	100x491	110x502	120x513	130x524
<b>A</b>	80	90	100	110	120	130
<b>B</b>	469	480	491	502	513	524
<b>C</b>	380	391	402	413	424	435
<b>D</b>	70	70	70	70	70	70
<b>E</b>	110	110	110	110	110	110
<b>F</b>	7.0°	7.0°	7.0°	7.0°	7.0°	7.0°













# COLOURWAYS





# TUHUA

GLOSS BLACK









NOT ALL WHO WANDER ARE LOST

AO

6Nm. Max.

CHAPTER 2  
ON

AO





# HIRIWA

SILVER + UD

















# AOTEAROA

SKY + BLUE









AOTEAROA





6Nm. Max.

CR2





NEW ZEALAND.COM  
Licence No. 101291



# RANGIPO

EARTH TONES











CHAPTER 2









# WAIPOUA

GREEN + CAMO











LIMITED EDITION

AOTEAROA

40

CHAPTER 2

40

MAXXIS





FFWD

CHAPTER 2





# KOURA

BLACK + UD W/

















IX

Michael  
PRYDE  
DESIGN

DESIGNED IN  
NEW ZEALAND





AVAILABLE WORLDWIDE / CONTACT [INFO@CHAPTER2.CO.NZ](mailto:INFO@CHAPTER2.CO.NZ)



[WWW.CHAPTER2BIKES.COM](http://WWW.CHAPTER2BIKES.COM)

[Disclaimer](#)

The information in this document was correct on 01/02/2023  
Please refer to our website for the latest information